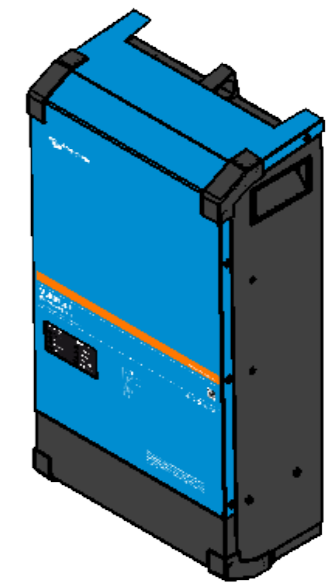
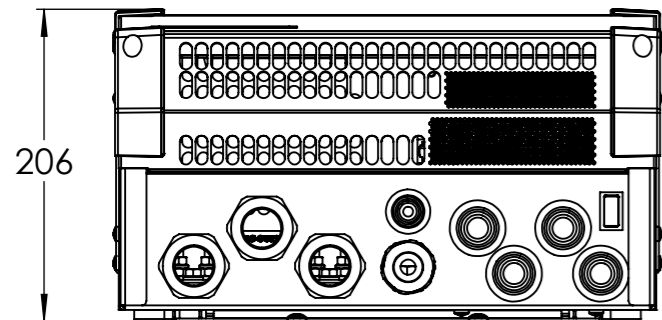
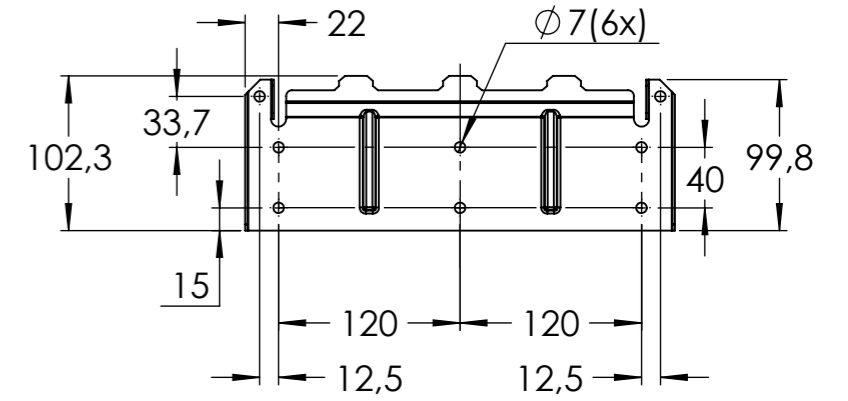
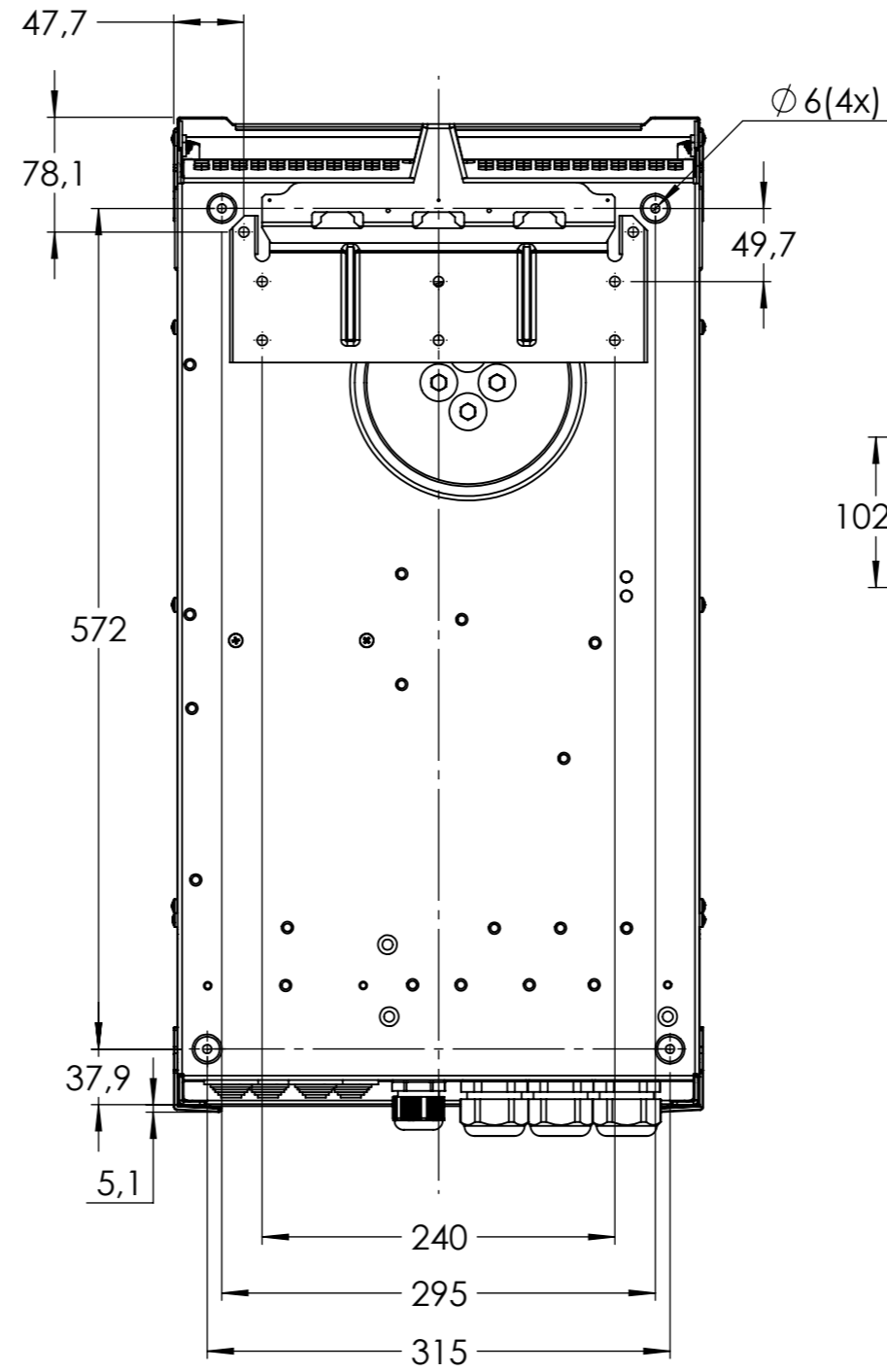
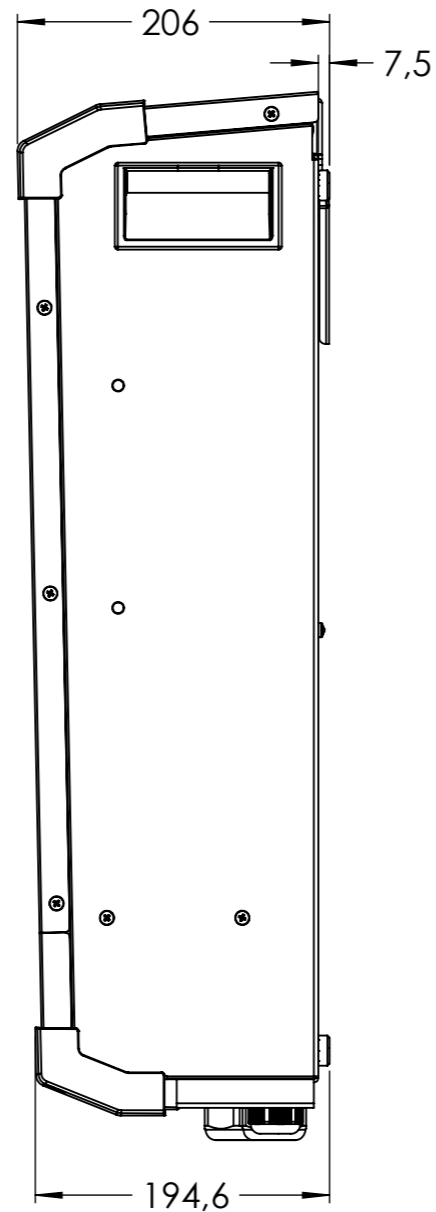
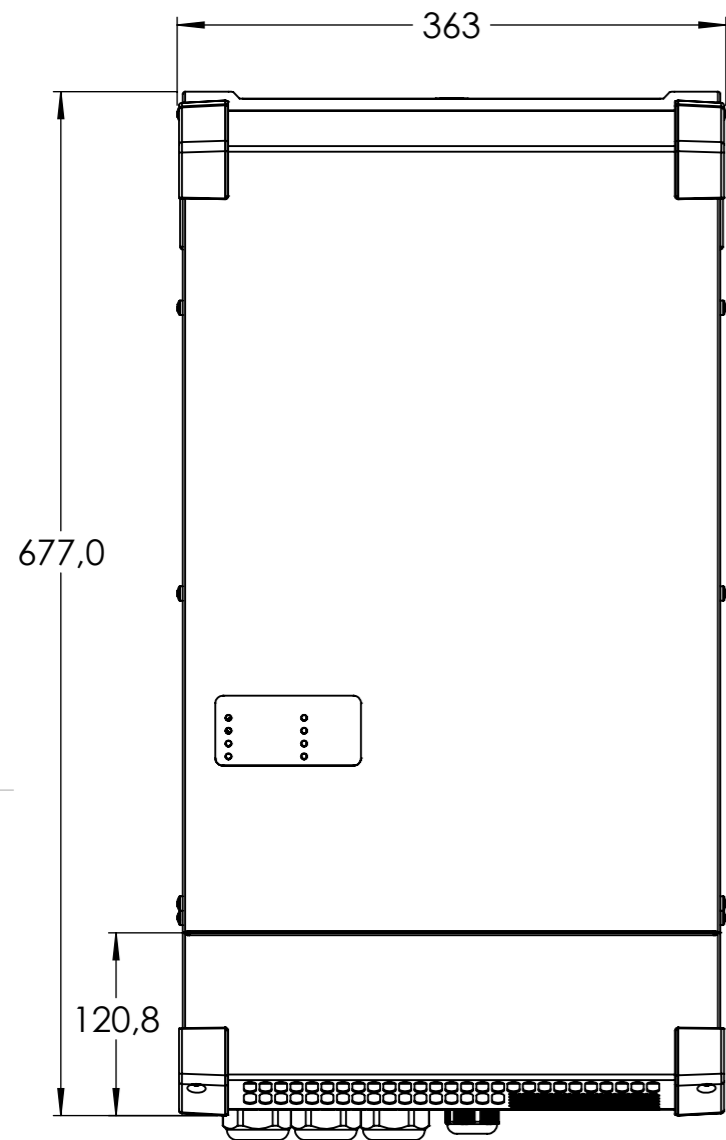


from SN batch HQ2426 onwards

Dimension Drawing - MultiPlus-II

PMP483105000

MultiPlus-II 48/10000/140-100 230V



Dimensions in mm

